

# GR-75 MEDIUM TRANSPORT

1:350 Scale Model Kit



**MODEL KIT**

**MosEisleyModelworks.com**

Notes on: Printing,  
Assembly & Finish

## **GR-75 Medium Transport**

---

The GR-75 medium transport, otherwise known as the Rebel Transport was famously featured in “Empire Strikes Back”. It’s not a classically beautiful ship but really fills the visual role of a workhorse ship exceptionally well. The top hull is made up of jagged edges and doesn’t even completely enclose the myriad of rusty cargo containers huddled under its industrial decking. She conjures images of rusted old rail cars or beat up semi trailers yet gives an illusion of heavy lumbering speed and power. The GR-75 might not be the fastest ship in the galaxy but it’ll certainly get you off an icy planet and past an Imperial blockade!

### **Technical Specifications**

---

**Manufacturer:** Gallofree Yards, Inc.

**Model:** GR-75 medium transport

**Cost:** 180,000 credits

**Technical specifications:**

**Length:** 90 meters

**Maximum atmospheric speed:** 650 kph

**Hyperdrive rating:** Class 4

**Shielding:** Equipped

**Hull:** Durasteel

**Sensor systems:** Medium range

**Navigation system:** Equipped

**Armament:** Four twin laser cannons (combat retrofit)

**Crew:** 1 pilot

1 co-pilot

1 engineer

1 cargo master

3 crew

**Passengers:** None

**Cargo capacity:** 19,000 metric tons

**Usage:**

Transport

Communications

Medical ship

Fireship

Resupply

Rescue

Fire support

**Affiliation:**

Alliance to Restore the Republic

New Republic

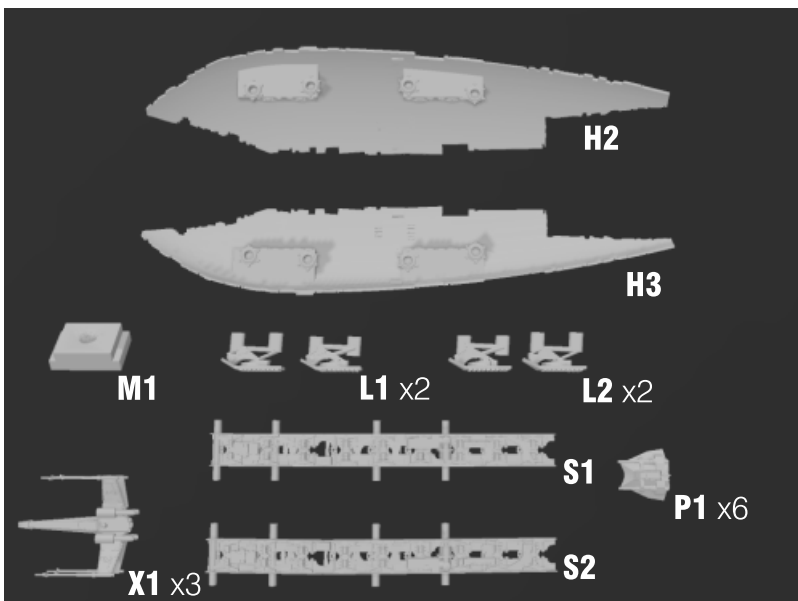
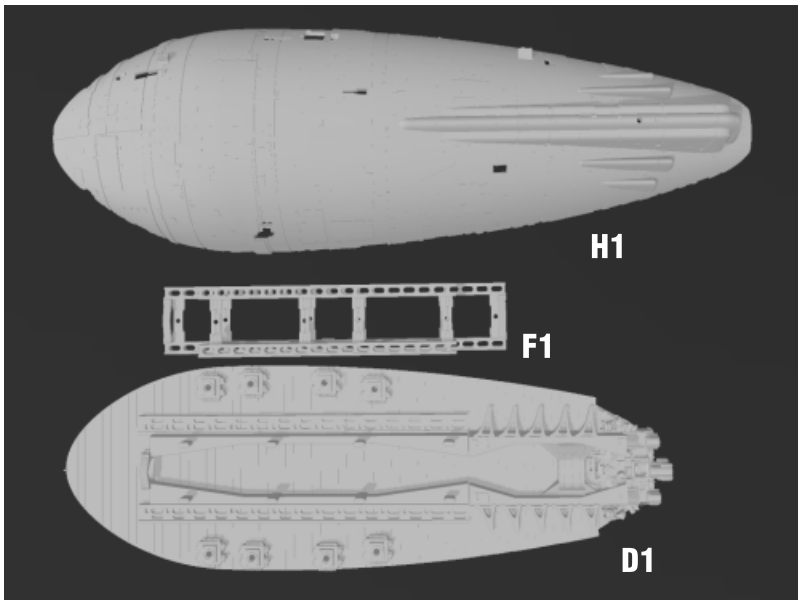
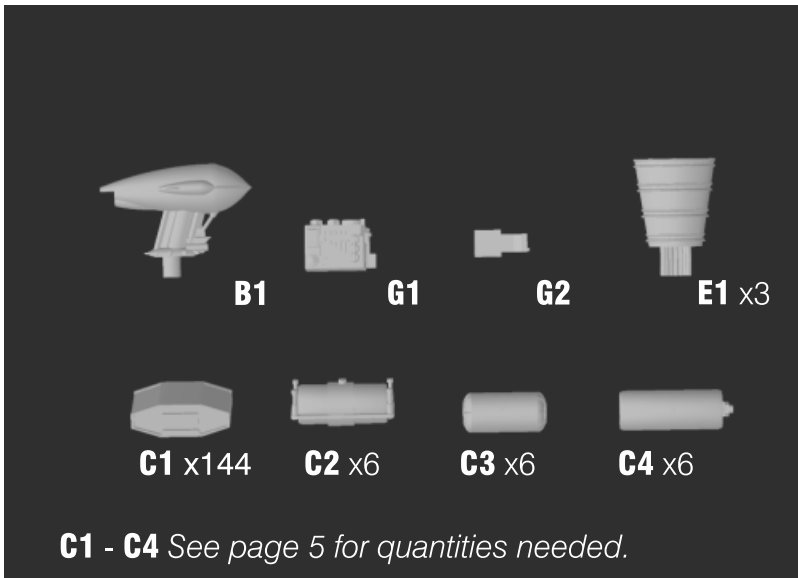
Jinata Security

Resistance

Citizens' fleet

*-Tech info from Wookieepedia*

# Parts Diagrams



## Parts List

- B1** .....Bridge
- C1-C4** .....Cargo Containers
- D1** .....Deck
- E1** .....Engine Bell (x3)
- F1** .....Frame
- G1-G2** .....Greeblies
- H1** .....Upper Hull
- H2-H3** .....Lower Hulls
- L1-L2** .....Landing Gear
- M1** .....Mounting Block
- P1** .....Snowspeeders
- S1-S2** .....Side Connectors
- X1** .....X Wings

## Assembly Symbols



Glue



Don Not  
Use Glue

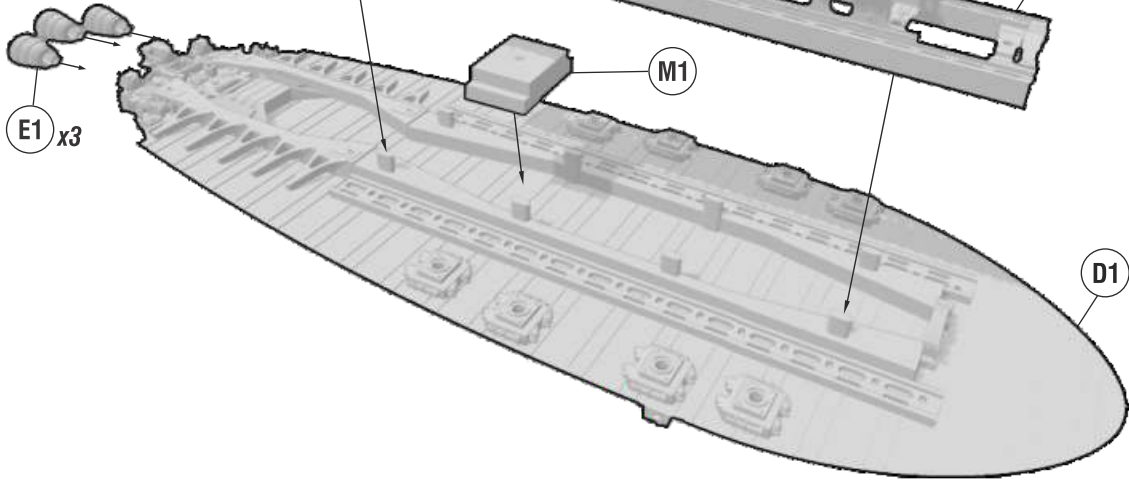


Choice

3



## Deck Assembly

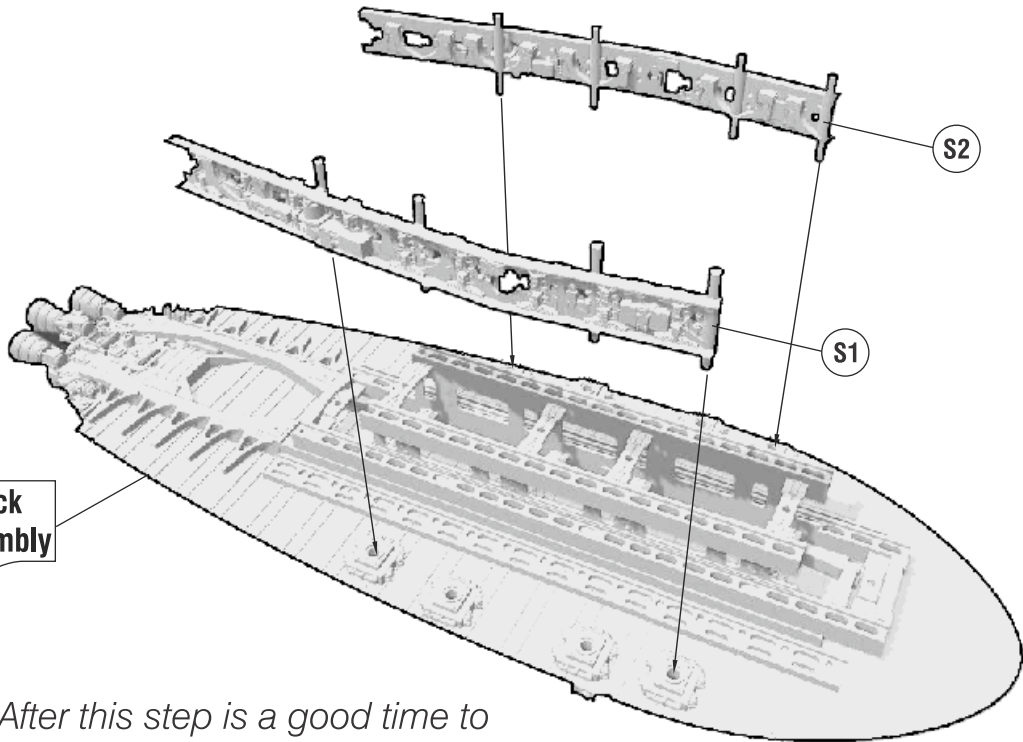


Part **M1** is an optional mounting block with a 1/4" 20 thread. (same as a camera tripod)

4



## Deck Assembly

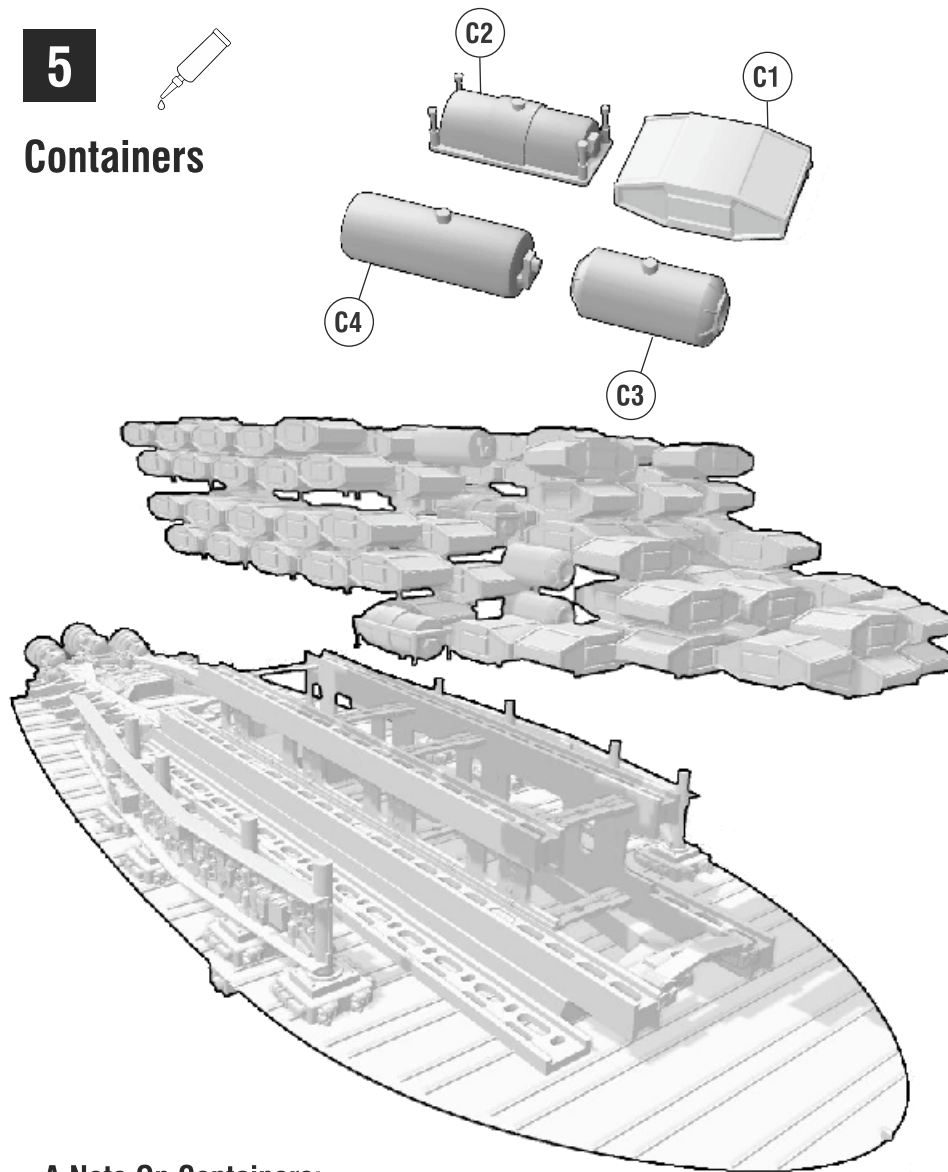


! After this step is a good time to paint the finished deck assembly

5



## Containers



### A Note On Containers:

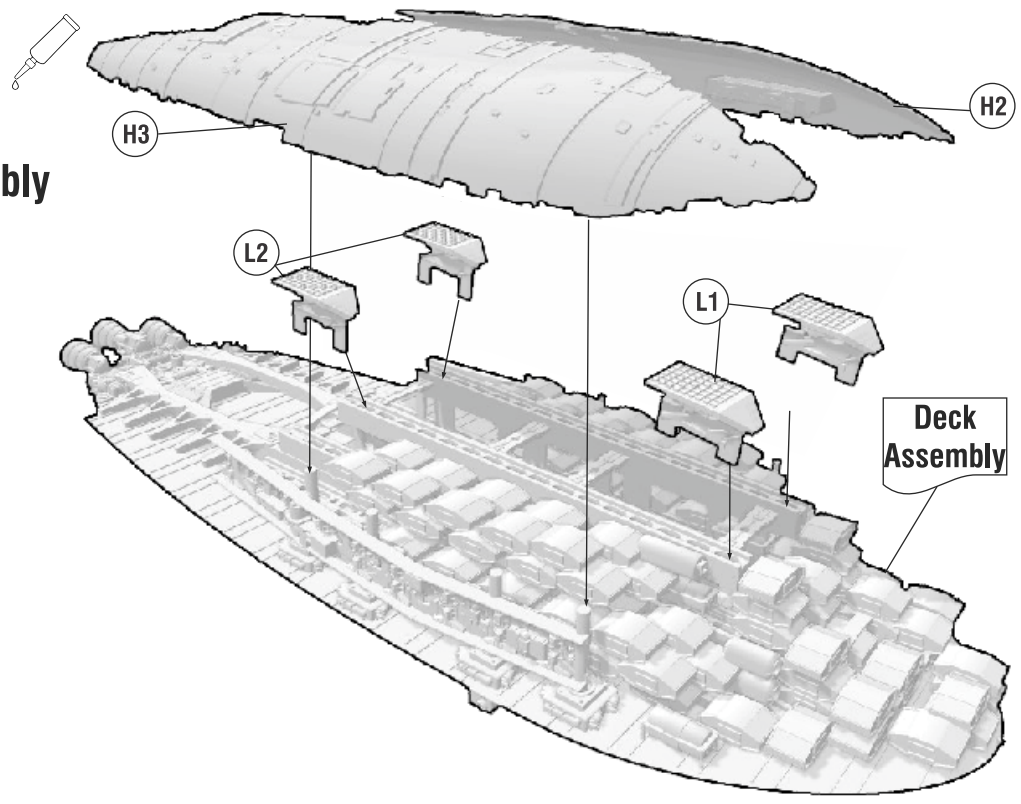
To simplify assembly instructions as well as provide room for artistic interpretation you are encouraged to add these parts to meet your own liking. Below are recommended steps to achieve a pleasing result. Make sure to place each part to see how they fit together.

***Painting containers before assembly is strongly recommended.***

1. Glue a layer of, mostly, part **C1** to the deck randomly alternating the orientation of containers 90°.  
*(Make sure to add a few of the round containers for visual interest.)*
2. Build up desired number of layers. *(2-4 layers recommended)*
4. Do not glue parts on the top frame rail they will interfere with placement of landing gear.
5. Make sure to leave room for the lower hulls to attach.
6. Total number of containers needed will vary. 100 to 150 recommended.

7

## Lower Assembly

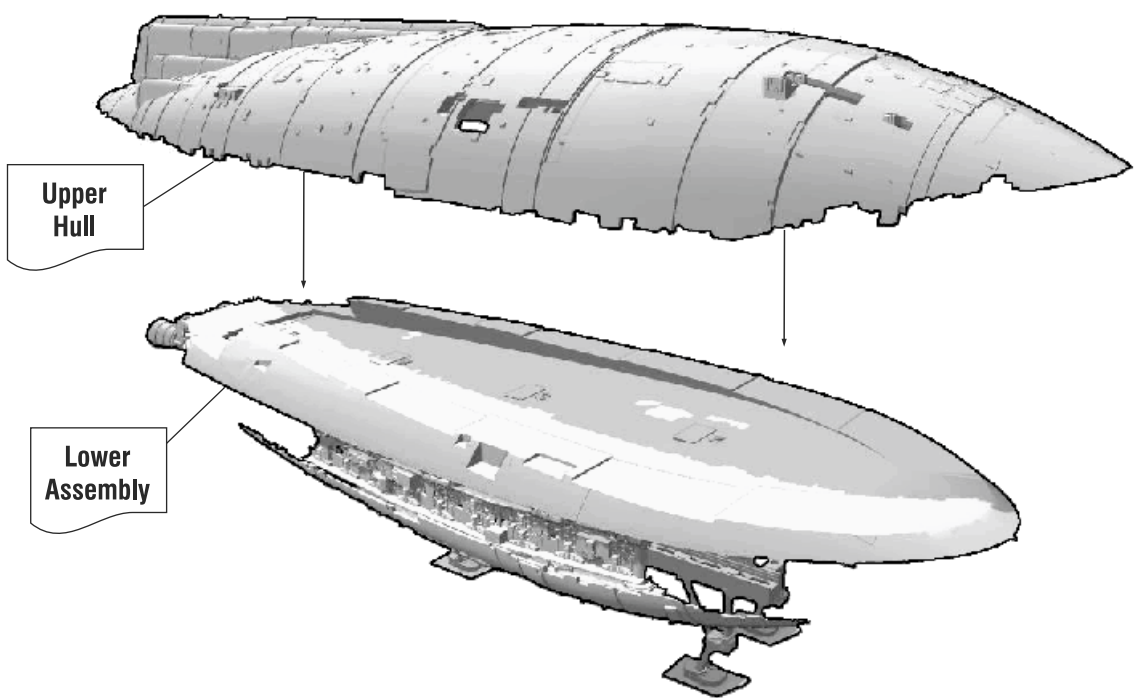


8

## Upper & Lower Assembly



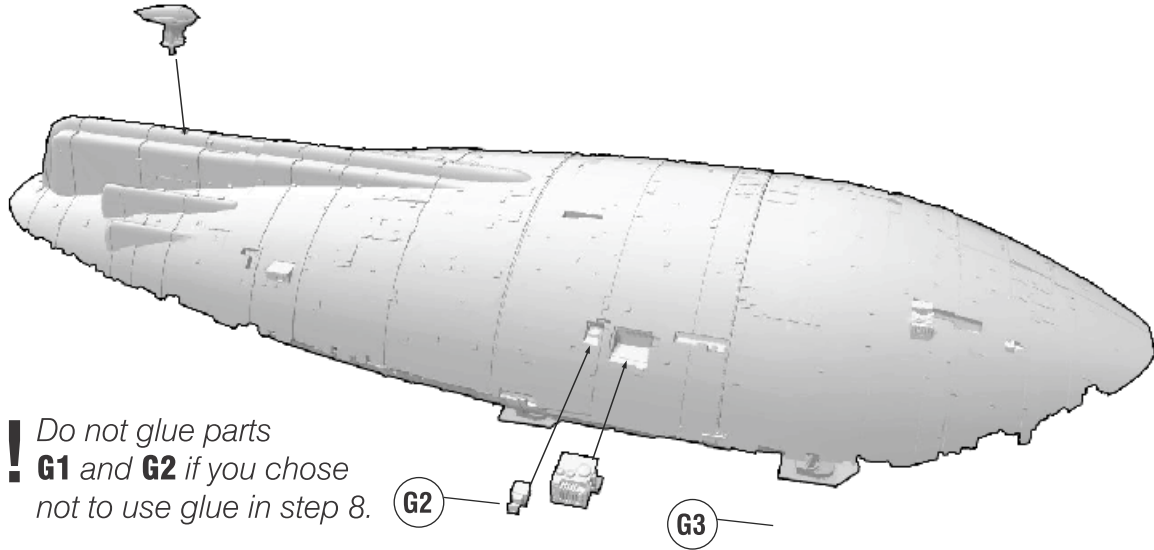
Top hull can sit on lower assembly with or without glue. Without may be useful to provide access to any electronics you want to install.



**9**



## Bridge & Greeblies



**!** Do not glue parts **G1** and **G2** if you chose not to use glue in step 8.

**G2**

**G3**

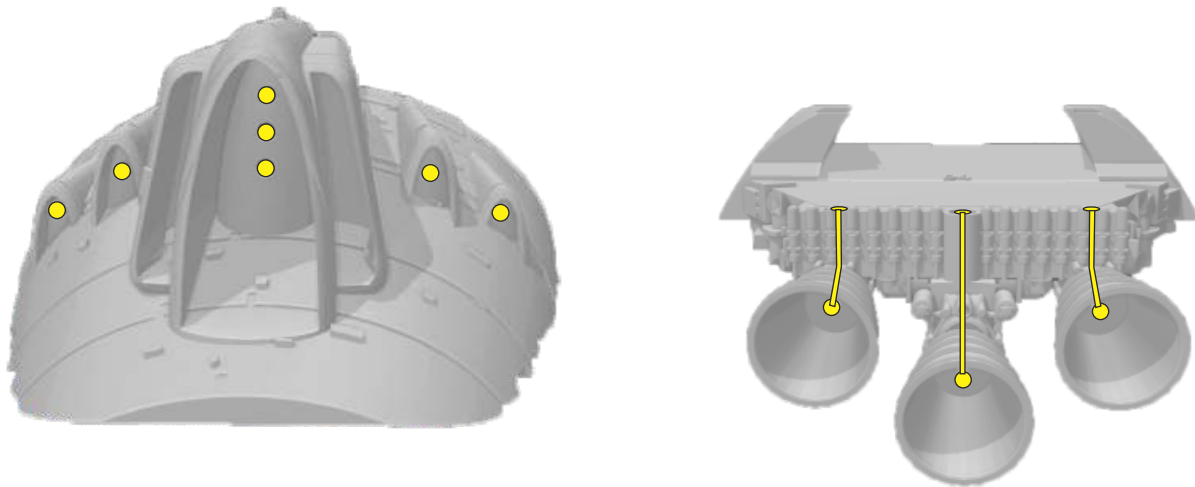
## Electronics

---

To Light or not to light. That is the question.

There is not space here to address all of the ins and outs of electronics in scale models but I do want to point out a few features of this kit available to those of you who would like to add lights.

The rear of the deck plate and engine bells have 1.5mm holes to accept micro smd lights as do the rear engine fins on the top hull.



If you have never tried lighting scale models before I would point you toward the wonderful world of Youtube. That's how I started and am still learning. It's a great place to start learning a new skill. You've taken your first steps into a larger world!

Below are a few youtubers that I have found exceedingly helpful in my journey. look em up!

- [Ostrich Longneck](#)
- [Interstellar Modeler](#)
- [Luke Towan](#)
- [Afrotechmods](#)



# Color Reference

---



## A Word About Color

Paint colors on sci-fi models can be a hotly debated topic. The reference material I have available regarding color is pictured here. These images will vary slightly on different monitors and when printed by different printers. This is an approximation of the color and is only meant as a starting point. Your taste and interpretation of colors used may differ...

...and that's okay. At the end of the day it's your model and if you're happy with it then it's been a successful and worth while endeavor.

## Color Chart

---

\*Approximate color in Vallejo Model Air paints



71.027  
Light Brown  
*-Hull*



71.140  
US Desert Sand  
*-Hull*



71.026  
US Flat Brown  
*-Shipping Containers, Hull*



71.057  
Black  
*Engine Nozzle Soot*



71.107  
US Interior Yellow  
*-Shipping Containers*



71.103  
Gray Blue  
*-Shipping Containers*



71.008  
Pale Blue  
*-Shipping Containers*



71.279  
Insignia White  
*-Shipping Containers*



71.006  
Light Green Chromate  
*-Shipping Containers*



71.123  
Dark Grey  
*-Frame, Deck, Engines, Landing Gear, Greeblies*



71.084  
Fire Red  
*-Shipping Containers*

*\*Use whatever brand of paint you like this is what I have and a starting point for your own research.*



Facebook

[facebook.com/Mos-Eisley-Modelworks](https://facebook.com/Mos-Eisley-Modelworks)

Etsy

[etsy.com/shop/MosEisleyModelworks](https://etsy.com/shop/MosEisleyModelworks)

Follow the facebook page for upcoming projects and progress updates!