

# Adventure Tank

1:35 Scale Model Kit



**MODEL KIT**

**MosEisleyModelworks.com**

Notes on: Printing,  
Assembly & Finish

# Working With Resin

---

## Cleaning Parts

This model is 3D printed in UV sensitive resin. It has been rinsed, cleaned, rinsed again and then given a final cure before shipping. You may clean the parts again to remove any oils from your fingers if you wish. If you choose to clean the parts use light soap or mild de-greaser in luke warm (not hot) water.

## Warped Parts

Occasionally a part may be slightly warped. It is simple to fix by running the part under hot water; once it had softened, you can bend it carefully back into shape. Once the part is straight hold it in place under cold water to set the shape.

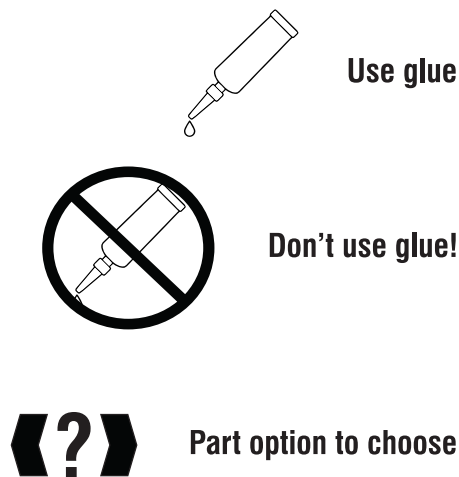
## Surface Prep

Like styrene models the surface of some resin pieces may need some smoothing or sanding. There are no mold lines with 3D printed parts but there may be small dimples to smooth. To do this, simply use fine grit sandpaper and smooth any imperfect surfaces. I also recommend a filler putty like Tamiya Putty, Perfect Plastic or Mr. Surfacer if needed to fill small imperfections.

## Glue

To glue resin, you should use Cyanoacrylate (Super Glue). You can sand the join area first to give it some tooth and a stronger bond if desired. For an extra strong bond- 2 part epoxy can be used on large pieces. You may also choose to drill small holes and pin pieces together though on the TIE Bomber model I have not found this necessary.

## Symbols to aid in assembly



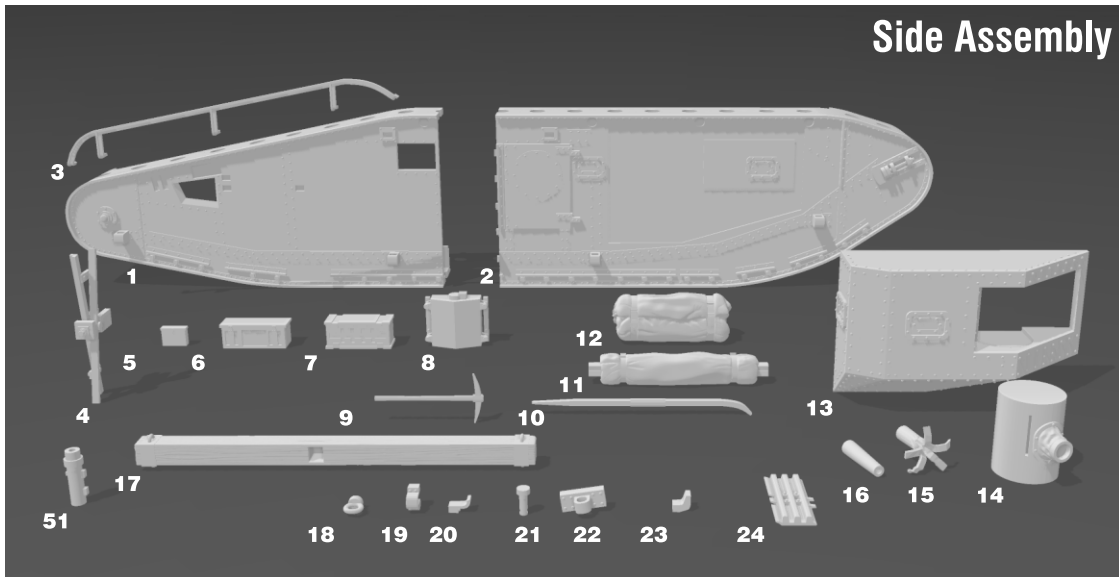
# NOTICE

When it comes to vehicle parts, the sides are determined by the position of the driver in the vehicle, facing forward. Meaning, looking forward, and sitting in the driver's seat, your left hand is the left side, your right hand is the right side.

Left Right

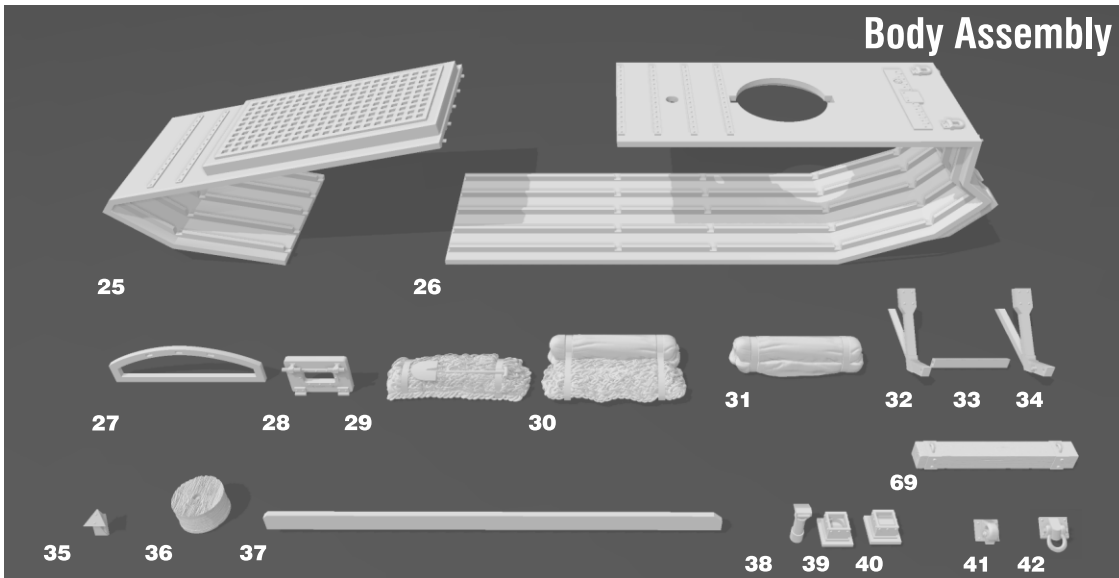
# PARTS

## Side Assembly



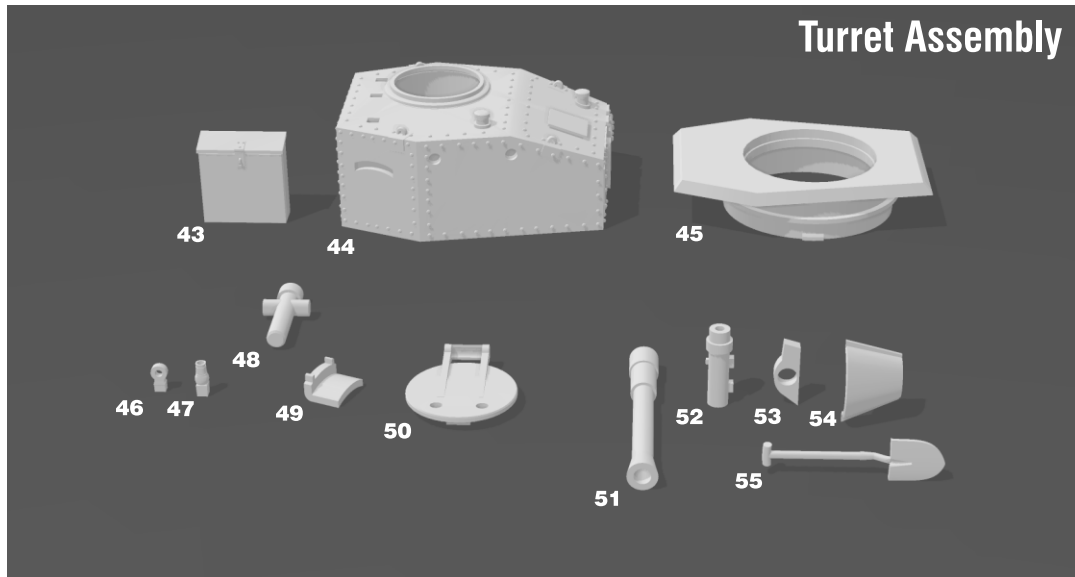
- |                                       |                                            |
|---------------------------------------|--------------------------------------------|
| 1. Side Wall Rear (1 Left & 1 Right)  | 13. Side Cannon Housing (1 Left & 1 Right) |
| 2. Side Wall Front (1 Left & 1 Right) | 14. Side Cannon Turret (1 Left & 1 Right)  |
| 3. Side Rail (1 Left & 1 Right)       | 15. Side Cannon Barrel Damaged             |
| 4. Barbed Wire Holder (x2)            | 16. Side Cannon Barrel (x2)                |
| 5. Small Ammo Can (x4)                | 17. Side Wood Beam                         |
| 6. Ammo Crate A (x3)                  | 18. Steel Loop (x8)                        |
| 7. Ammo Crate B (x3)                  | 19. Pick Axe Holder Rear (x2)              |
| 8. Water Can (x4)                     | 20. Pick Axe Holder Front (x2)             |
| 9. Pick Axe (x2)                      | 21. Pin (x2)                               |
| 10. Pry Bar (x2)                      | 22. Pin Holder (x2)                        |
| 11. Rolled Tent                       | 23. Pick Axe Holder (x4)                   |
| 12. Rolled Canvas Large (x2)          | 24. Tank Tread (x144)                      |

## Body Assembly



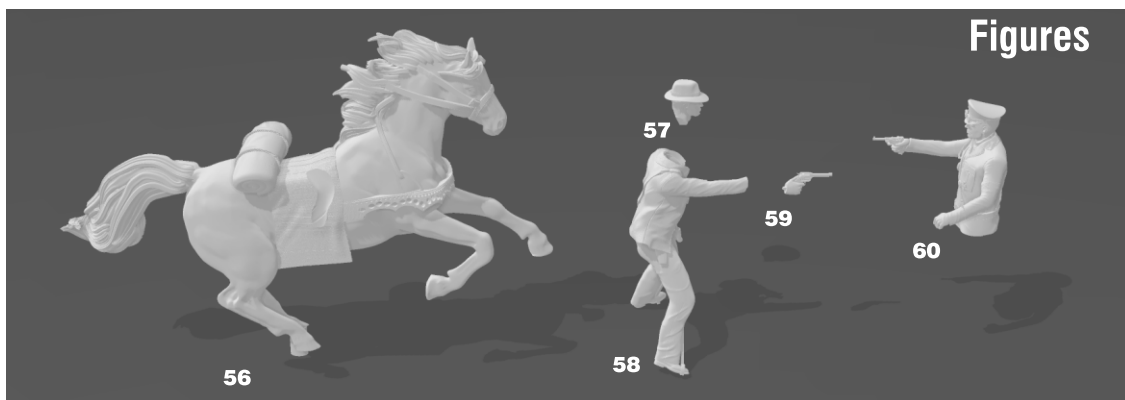
- |                         |                        |
|-------------------------|------------------------|
| 25. Rear Body           | 34. Front Angle B      |
| 26. Front Body          | 35. Rear Center Piece  |
| 27. Rear Bar            | 36. Wire Spool (x2)    |
| 28. Forward Hatch       | 37. Side Wall (x2)     |
| 29. Net Bag & Shovel    | 38. Periscope Deployed |
| 30. Net Bag & Canvas    | 39. Periscope Base     |
| 31. Rolled Canvas Small | 40. Periscope Stowed   |
| 32. Front Angle A       | 41. Tow Clip (x4)      |
| 33. Front Cross Bar     | 42. Center Tow Ring    |

# PARTS



- 43. Large Turret Box
- 44. Turret Body
- 45. Turret Base
- 46. Hatch Pivot (x2)
- 47. Antenna Base
- 48. Main Cannon Pivot
- 49. Chain/Cable Holder (x2)

- 50. Hatch
- 51. Main Cannon Barrel
- 52. Mortar Tube (x6)
- 53. Cannon Pivot Holder (x2)
- 54. Shovel Mount (x2)
- 55. Shovel (x2)



- 56. Horse
- 57. Adventurer Head
- 58. Adventurer Body

- 59. Adventurer Hand
- 60. Colonel Villain



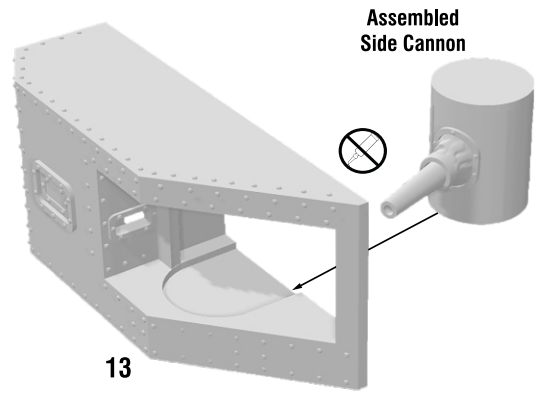
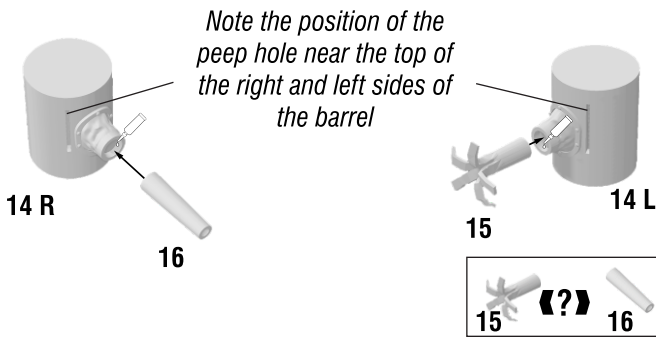
- 61. Wide Handle (x2)
- 62. Hatch Handle
- 63. Hatay Pennant

- 64. Barbed Wire (3ft)
- 65. Multi-strand Cable (1ft)
- 66. Chain (1ft)

- 67. Hatch Hinge Pin
- 68. Water-slide Decals

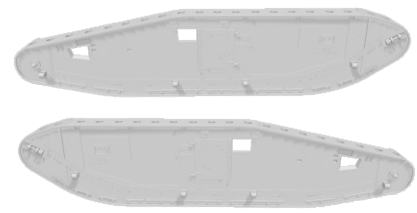
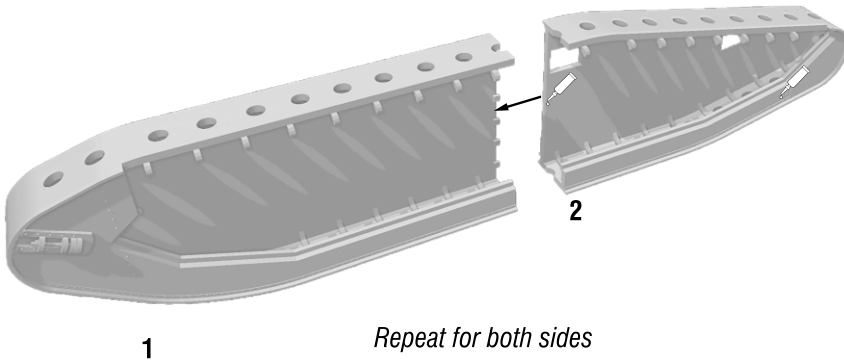
# ASSEMBLY

## Side Cannons



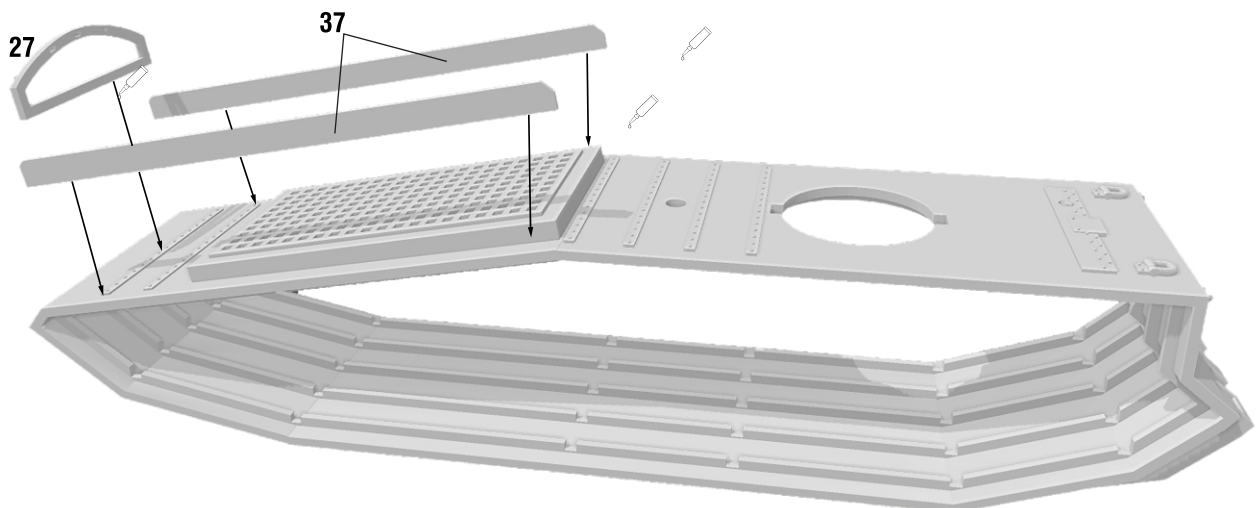
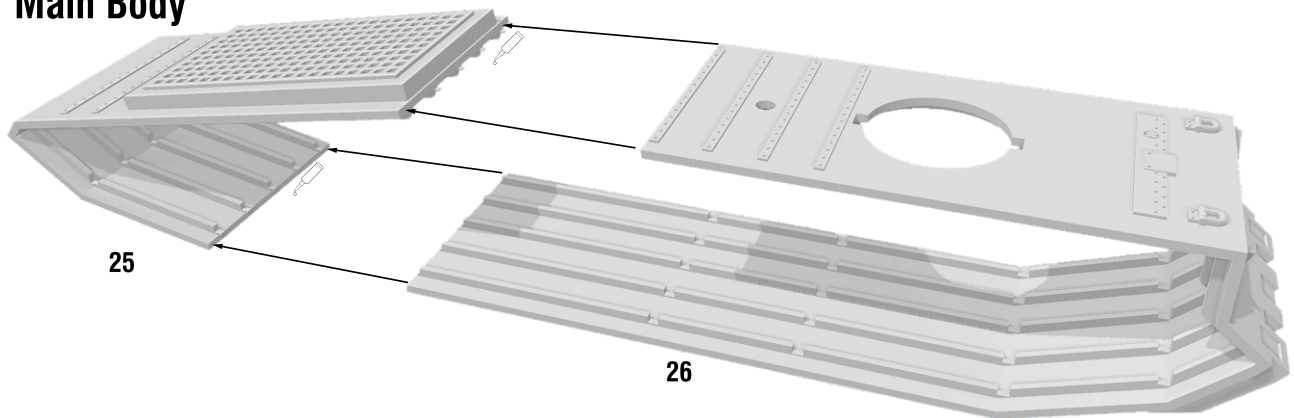
Repeat for both sides and set aside.

## Sidewalls



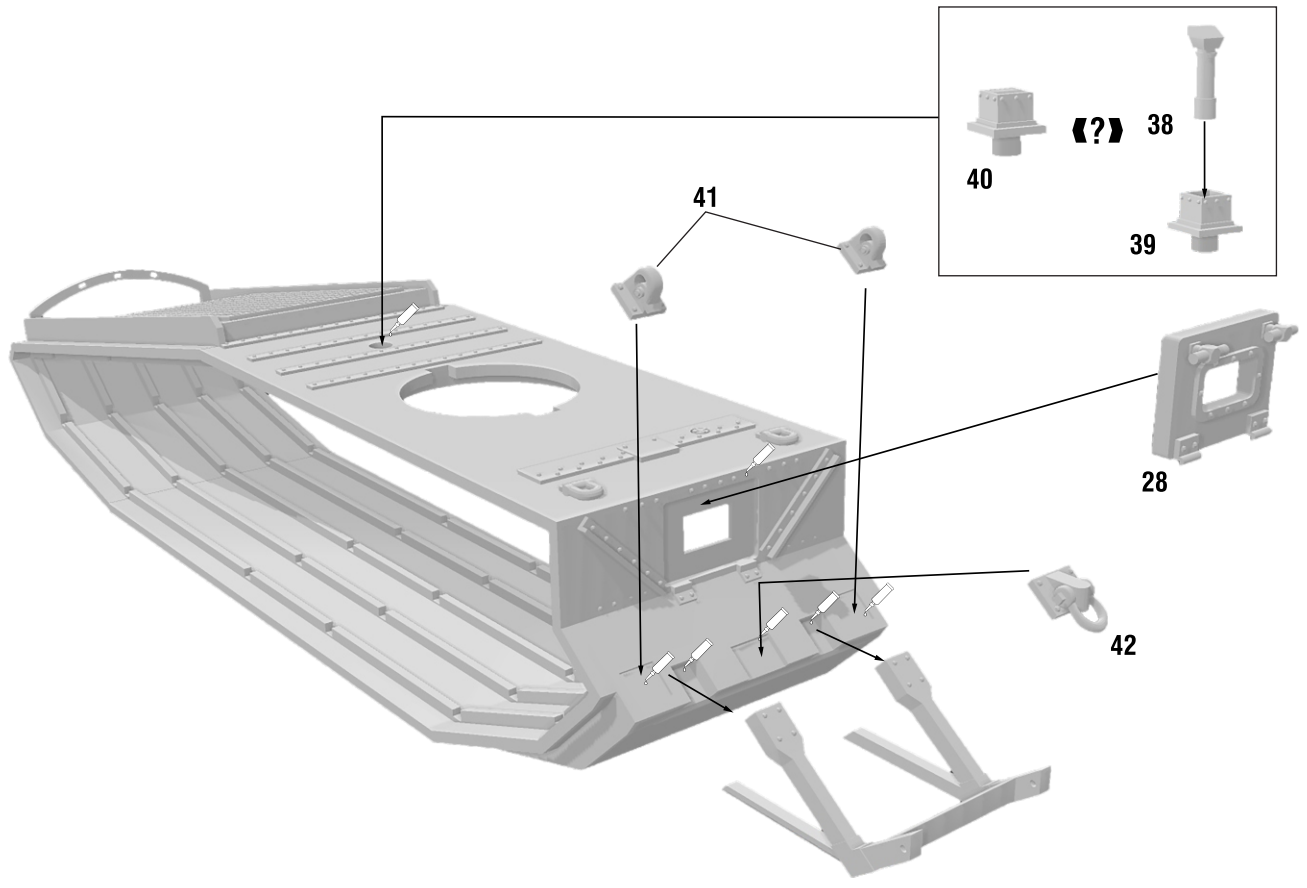
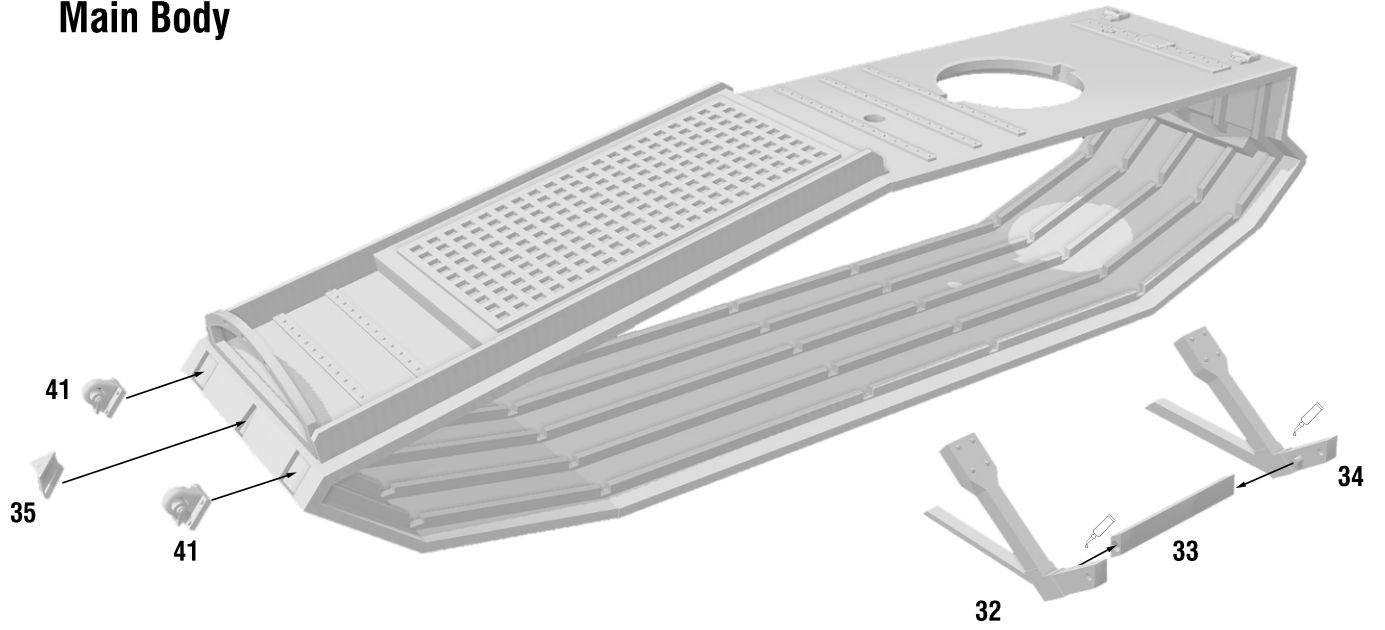
Sidewall Assemblies Complete  
Set aside.

## Main Body



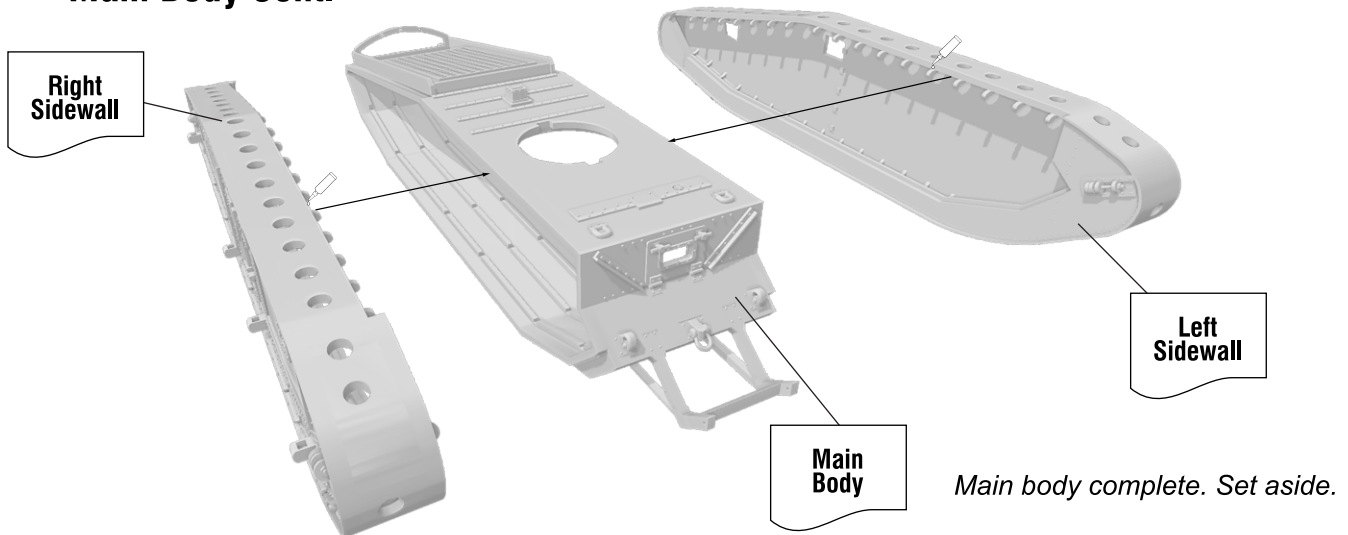
# ASSEMBLY

## Main Body



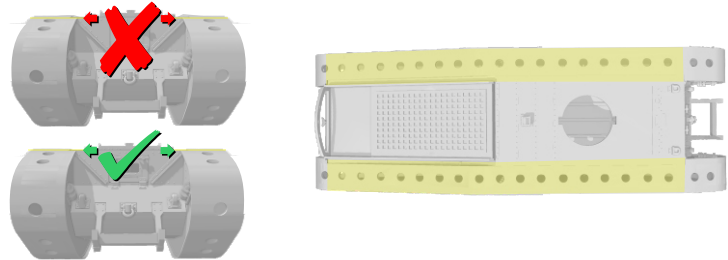
# ASSEMBLY

## Main Body Cont.

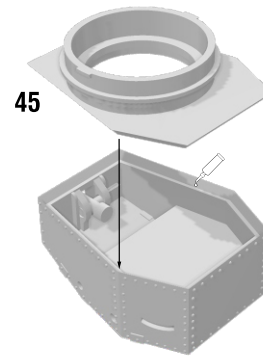
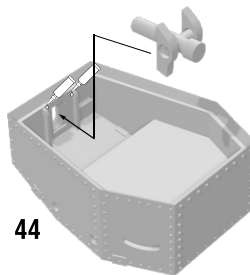
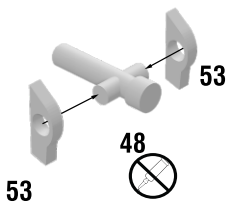


Main body complete. Set aside.

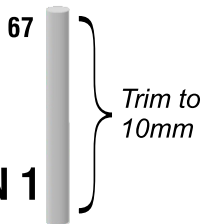
**NOTE:** While joining sidewall assemblies be sure that top of sidewalls is as flush and level as possible with the main body. The main body has some flex to it and the sidewalls have guide ribs to improve this joint. If there are uneven surfaces in the highlighted areas illustrated on the right simply sand them flat with sandpaper and a sanding block before proceeding. This will ensure ease of adding the tank treads later.



### Turret

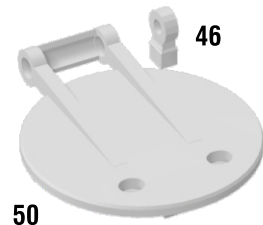


### OPTION 1

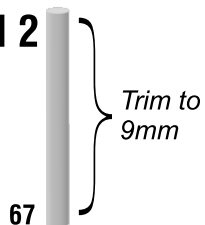


Peen hinge pin with hammer to enlarge one end

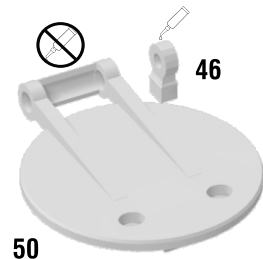
Slide hinge pin through parts shown and carefully peen opposite end using hammer and center punch



### OPTION 2

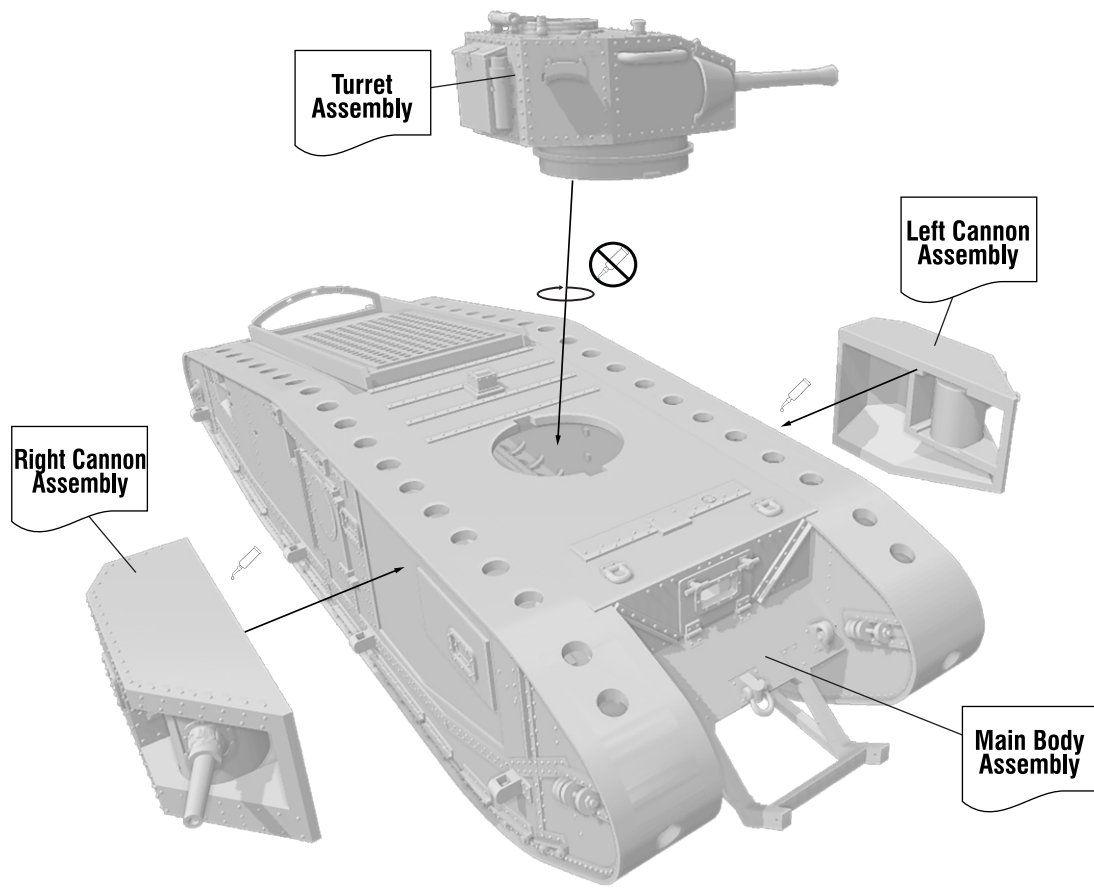
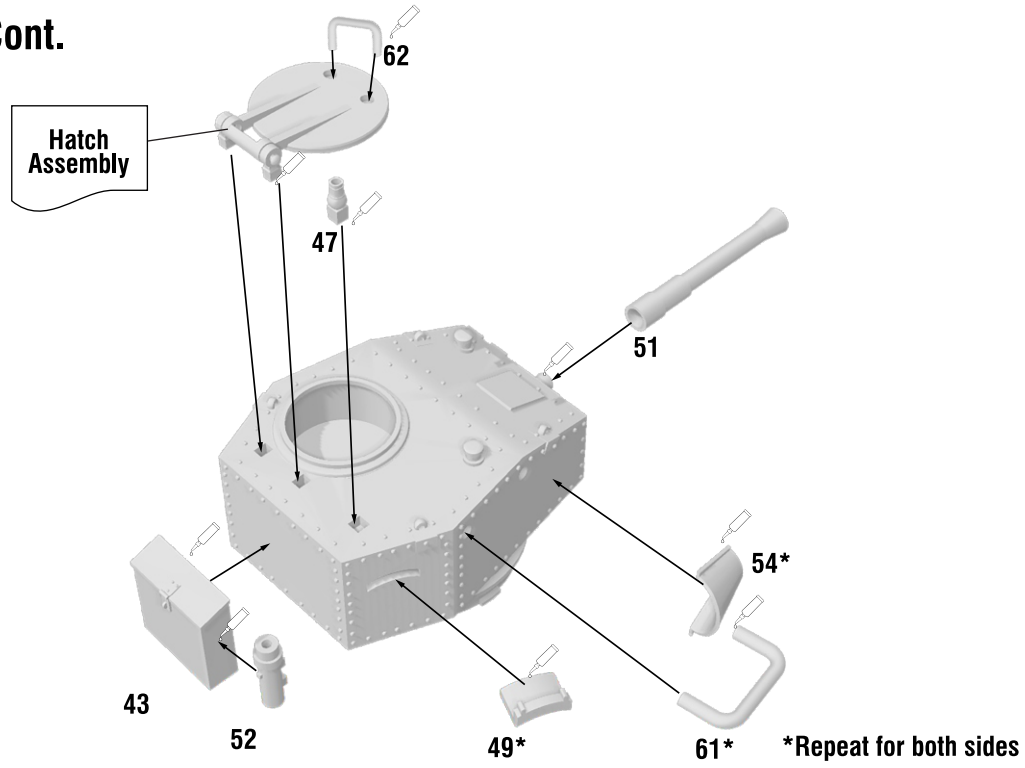


Slide hinge pin through parts shown and carefully glue hinge to hinge pivots. Be careful not to get any glue on the hatch.



# ASSEMBLY

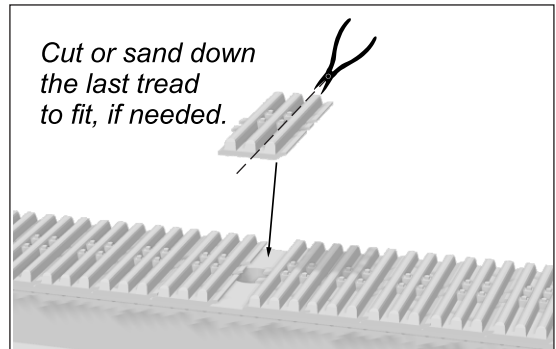
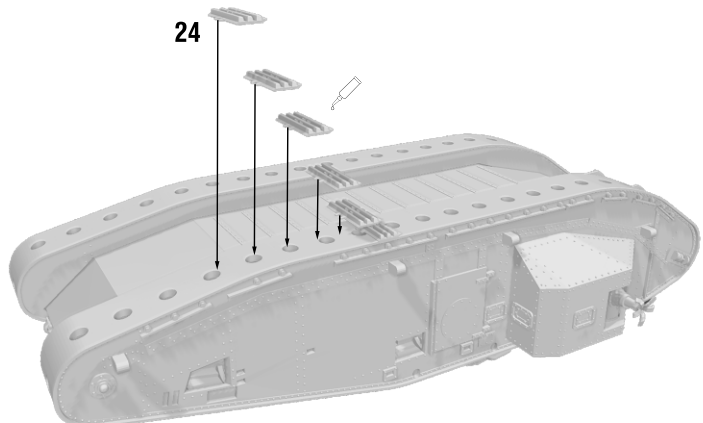
## Turret Cont.





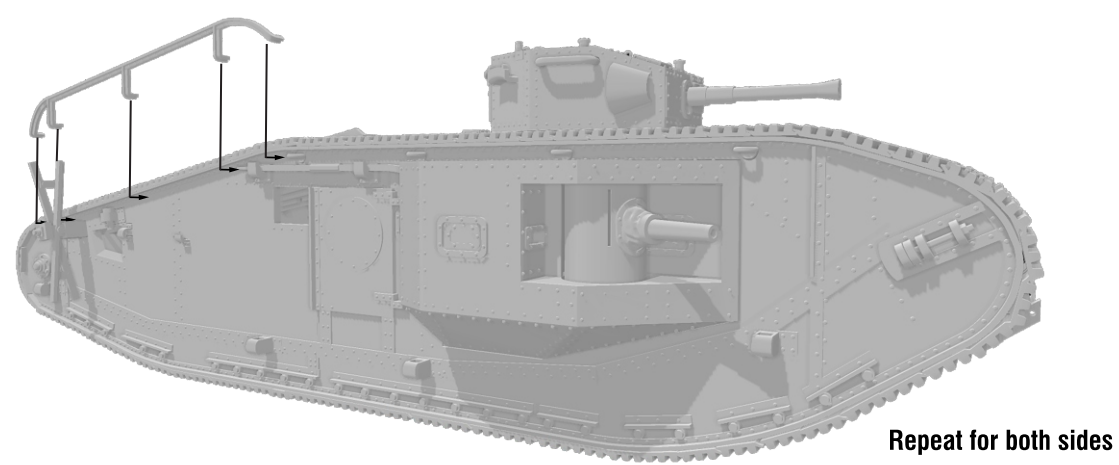
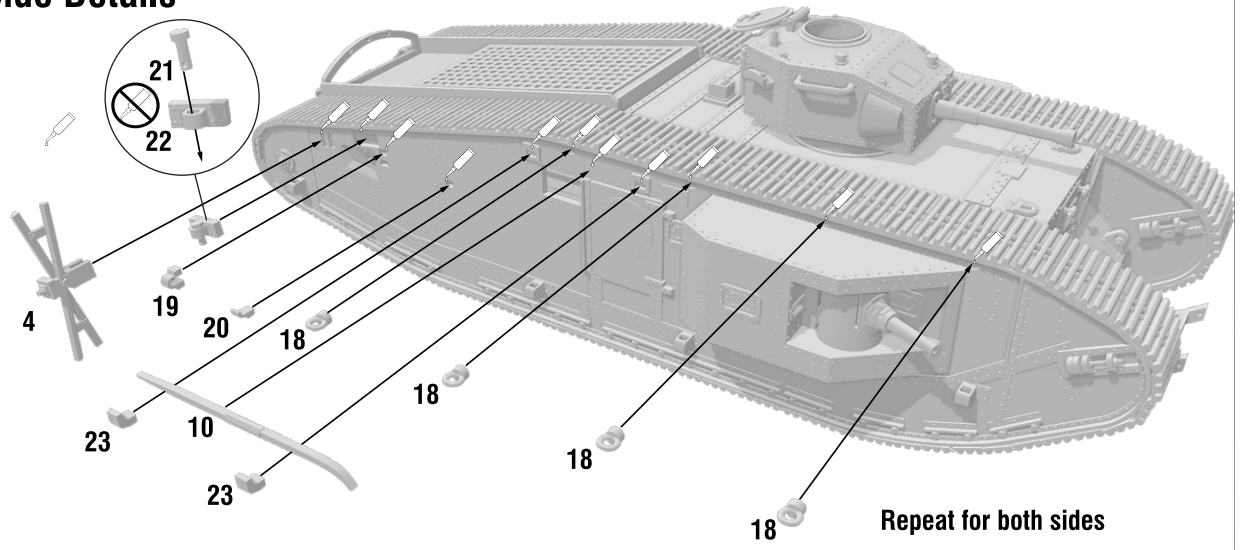
# ASSEMBLY

## Treads



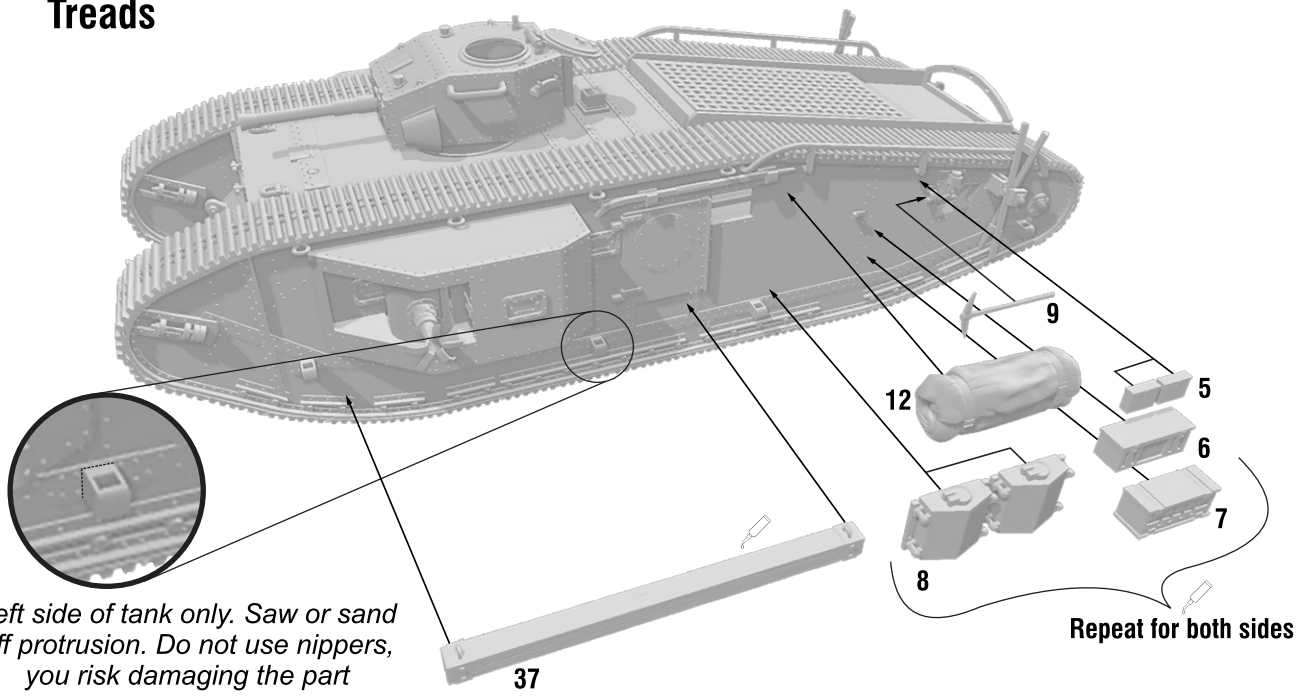
Start with tabs facing rear of vehicle. Center first tread on the bottom of the tank and work your way around.

## Side Details

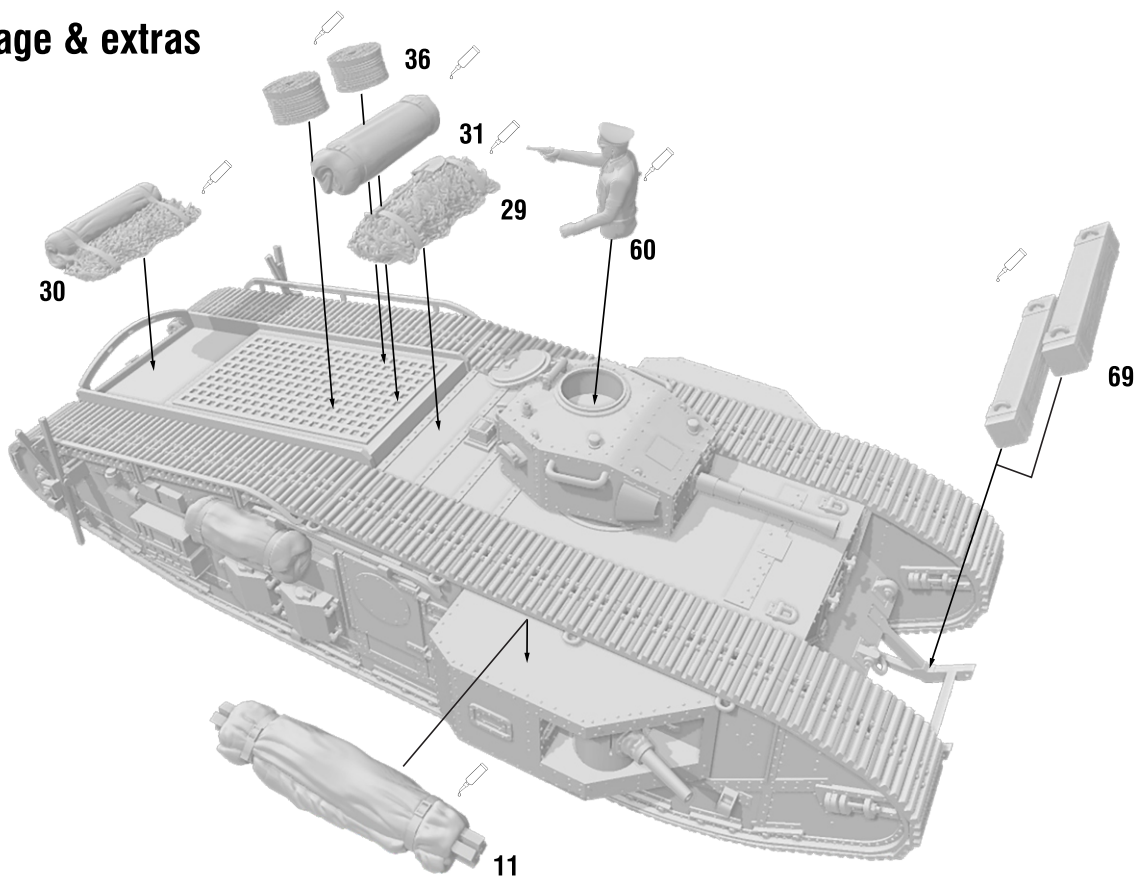


# ASSEMBLY

## Treads

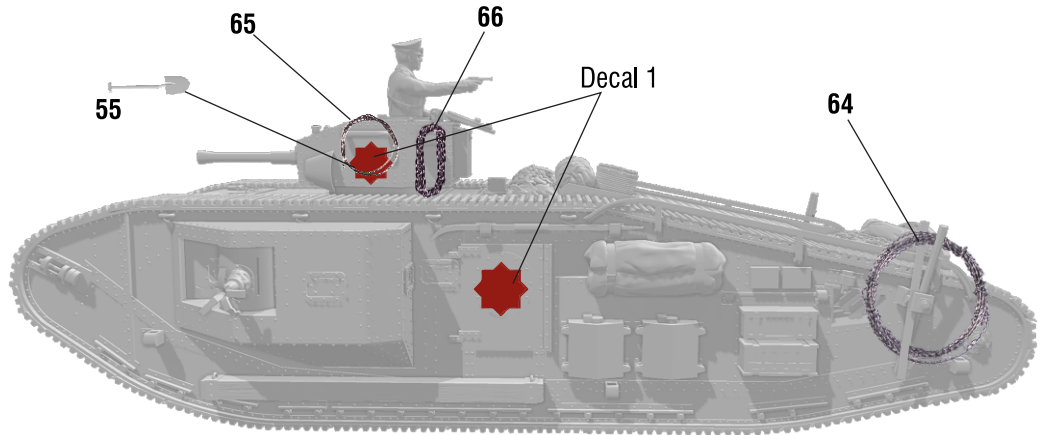


## Stowage & extras

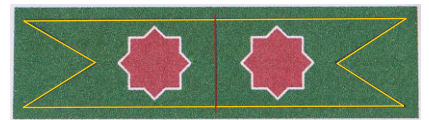


# ASSEMBLY

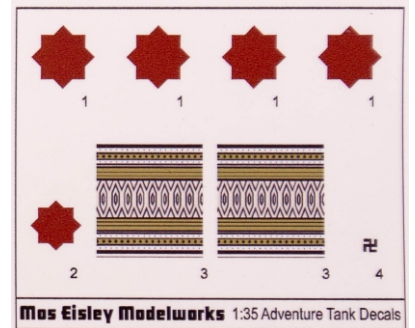
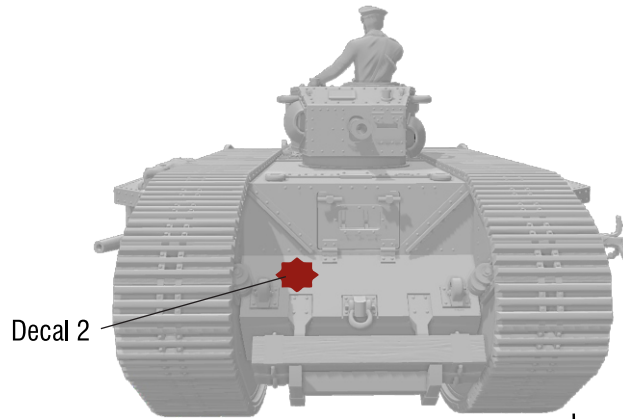
## Final Details



\*Cut parts in half and coil.



\*Cut out (yellow line) then fold in half (Red Line)

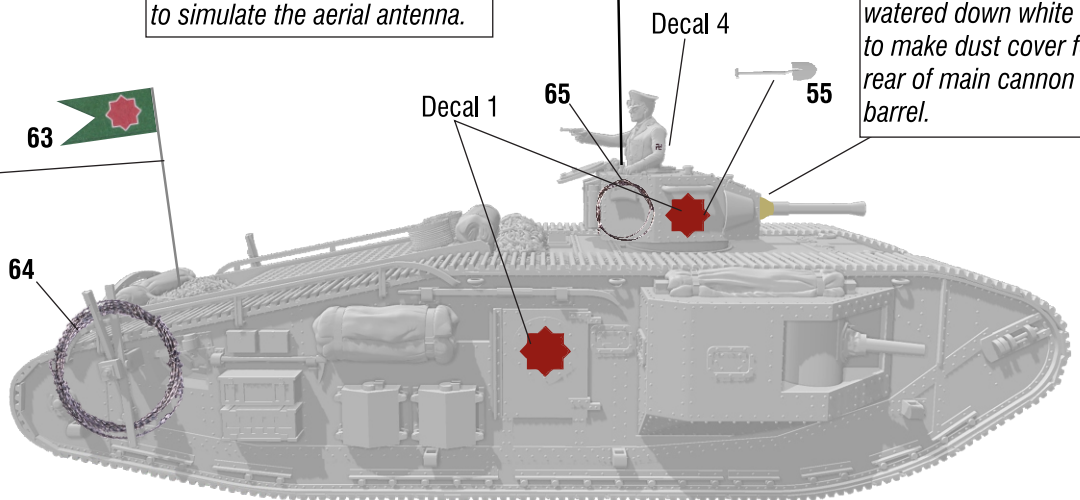


68

Note: Insert thin wire or guitar string into antenna holder part to simulate the aerial antenna.

Note: Use tissue and watered down white glue to make dust cover for rear of main cannon barrel.

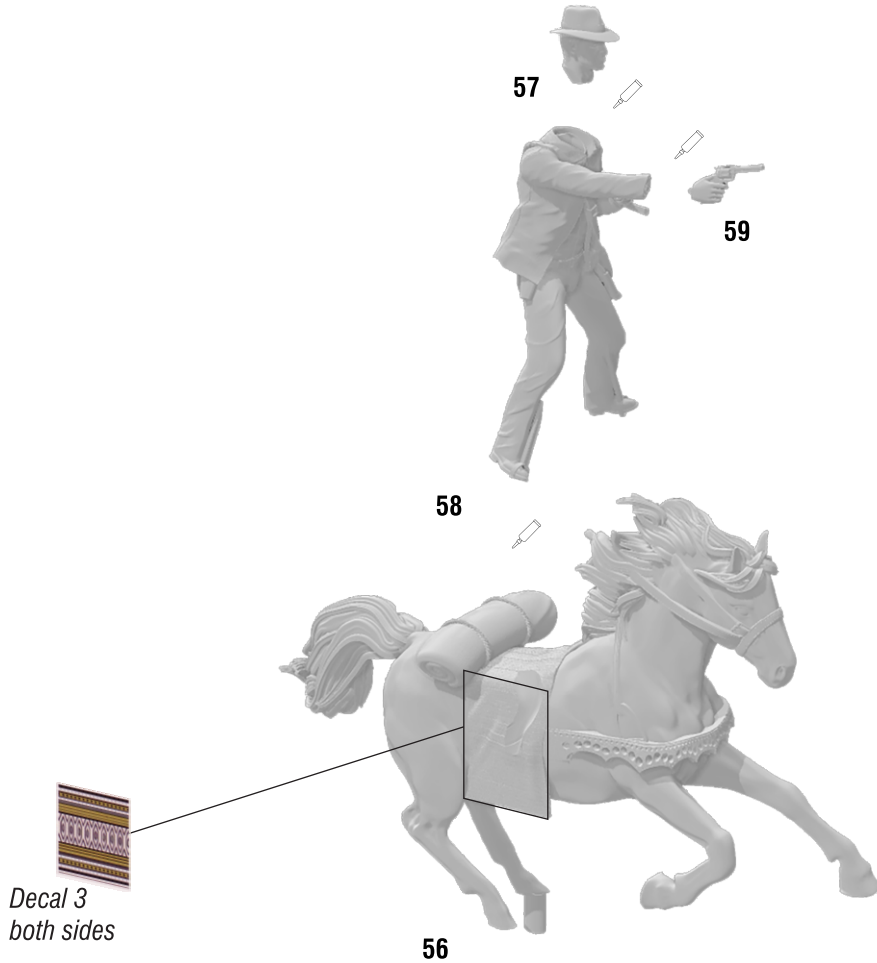
Note: Use thin wire or straighten a paper clip for flag pole.



# ASSEMBLY

---

## Figures



## About Mos Eisley Modelworks

---

Model building has, for me, been a portal into that galaxy far, far away and a conduit to revisit the stories I loved as a kid. This is an opportunity to share something I love with the world and I sincerely hope you enjoy!

Look me up:  [facebook.com/Mos-Eisley-Modelworks](https://facebook.com/Mos-Eisley-Modelworks)

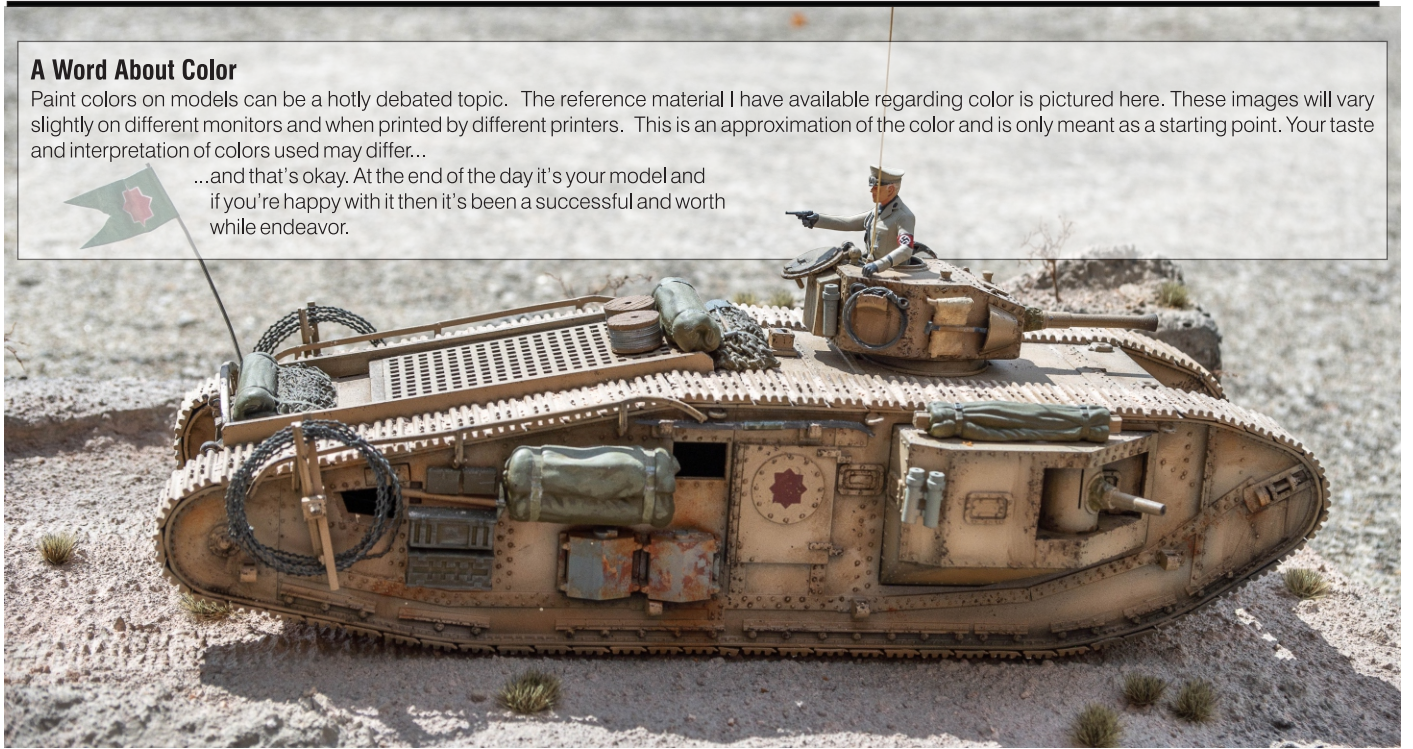
 [etsy.com/shop/MosEisleyModelworks](https://etsy.com/shop/MosEisleyModelworks)

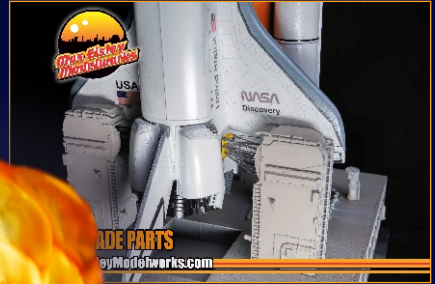
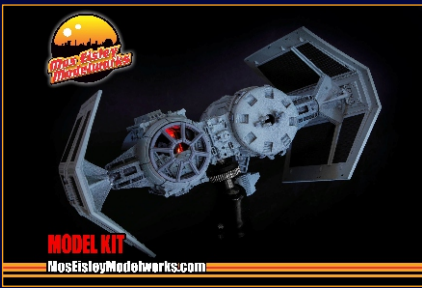
# Color Reference

## A Word About Color

Paint colors on models can be a hotly debated topic. The reference material I have available regarding color is pictured here. These images will vary slightly on different monitors and when printed by different printers. This is an approximation of the color and is only meant as a starting point. Your taste and interpretation of colors used may differ...

...and that's okay. At the end of the day it's your model and if you're happy with it then it's been a successful and worthwhile endeavor.

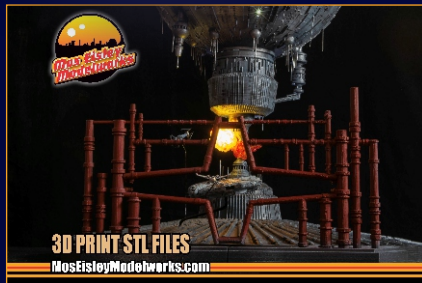




IT'S NOT JUST  
A HOBBY

BUILD  
YOUR  
DREAMS!

MosEisleyModelworks.com



Check out these other great kits, parts, and files from  
Mos Eisley Modelworks!